



## The Asurity™ Promise

### Tired of callbacks from water damage?

That's why we make it easy to protect your customers and your reputation with added protection on your condensate management install and coverage against water damage.

Receive 2 years of protection for water damage claims up to \$2,500 when you install an Asurity system following our guidelines.

And for unbeatable protection, choose our 4-year extended coverage when you add a 3-year maintenance agreement for protection from water damage claims up to \$2,500.

Register your Asurity products on the Asurity App for easy access to protection details for each install.

**ADDED PROTECTION  
WHEN YOU REGISTER  
YOUR INSTALL**



**Up to \$2500**  
coverage against water  
damage claims



**Extended Coverage**  
with 3-year maintenance  
agreement

**Up to \$2500**  
coverage against water  
damage claims

# Qualifying Installations



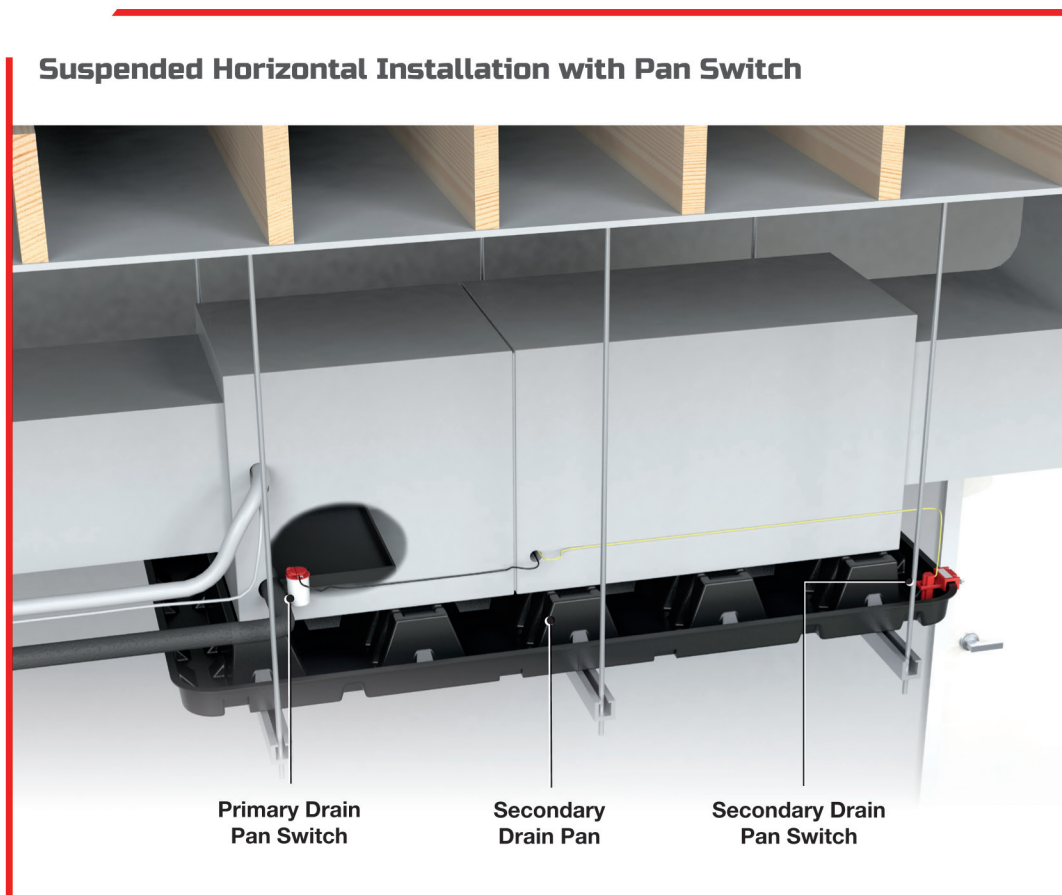
Asurity™ products are part of a complete system of condensate management solutions designed to work together. Proper installation, including the use of **redundant** components, is the best way to mitigate damages due to HVAC system failures.

## Installation Infographics

Installation infographics help you select the right condensate management system for a variety of applications, and ensure that your installation qualifies for the Asurity Promise coverage.

To view additional examples of qualified installations, possible product substitutions and other valuable resources visit [asurityhvac.com/promise](https://asurityhvac.com/promise)

We're here to make it easy to protect your installations, so you can focus on getting the job done right the first time.



For possible product substitutions, please visit [asurityhvac.com/promise](https://asurityhvac.com/promise)



GARAGE

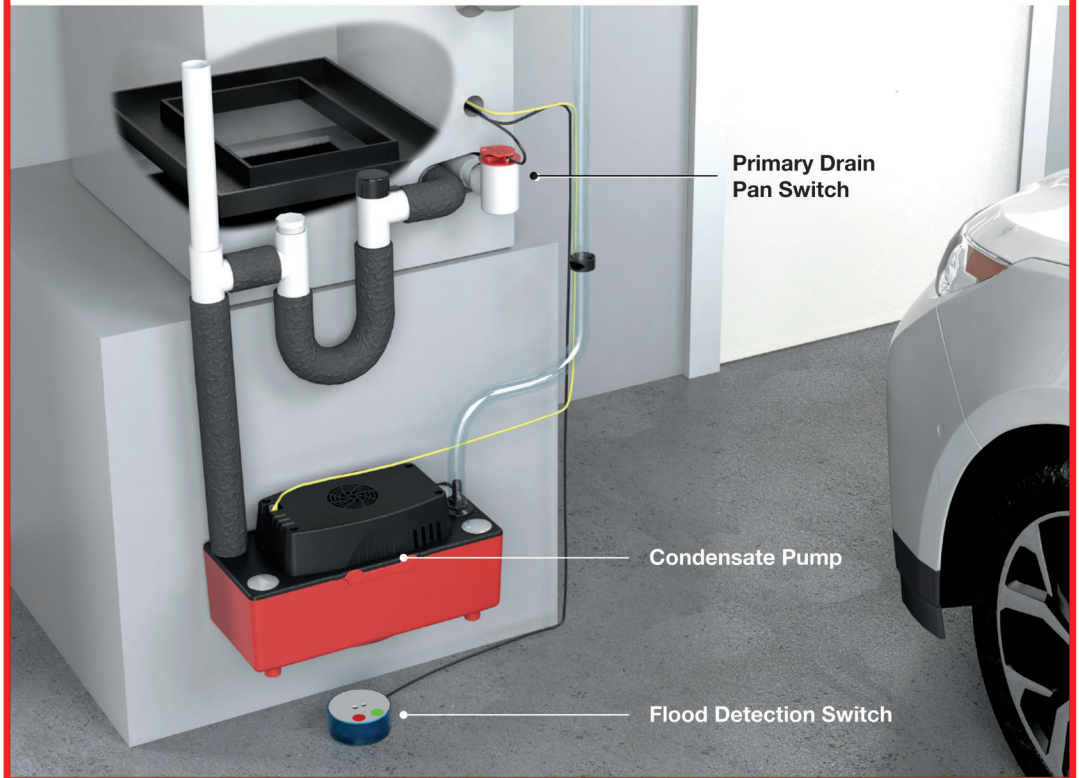


BASEMENT



UTILITY CLOSET

### Bottom Intake with Condensate Pump

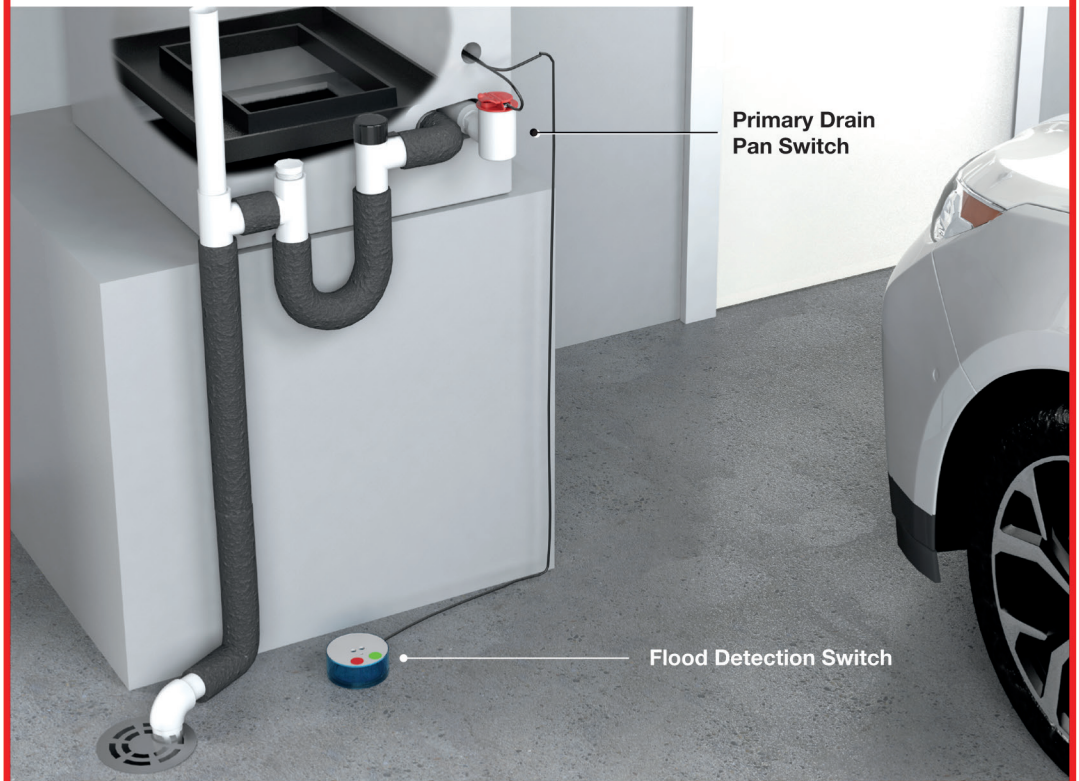


GARAGE



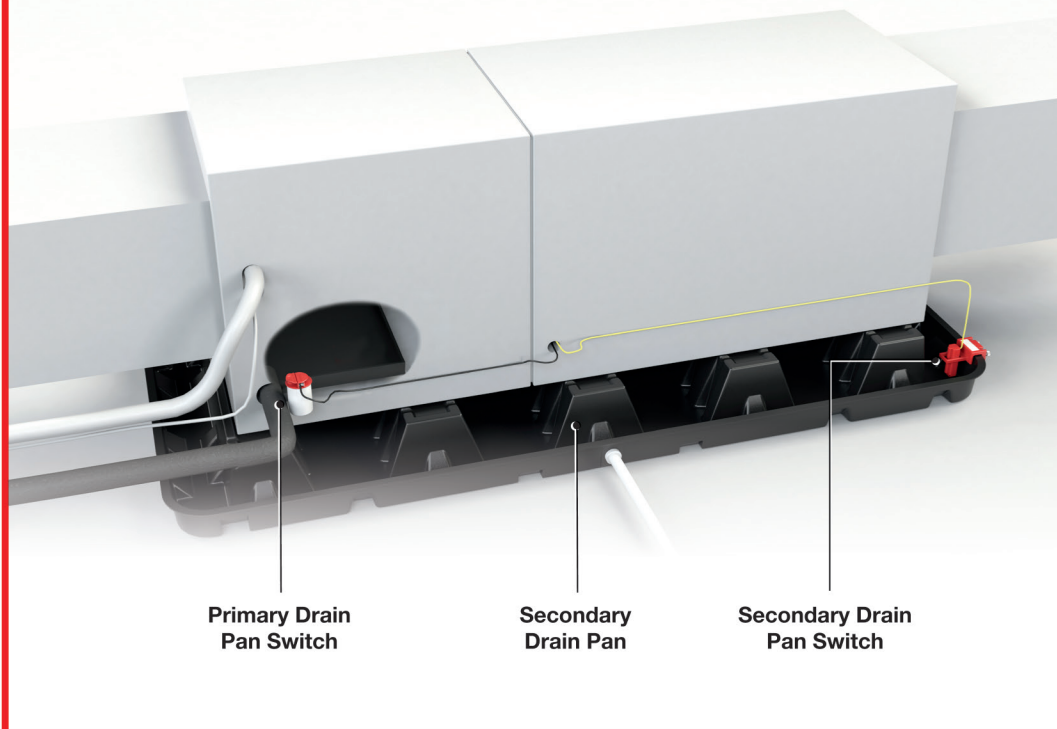
BASEMENT

### Bottom Intake with Floor Drain

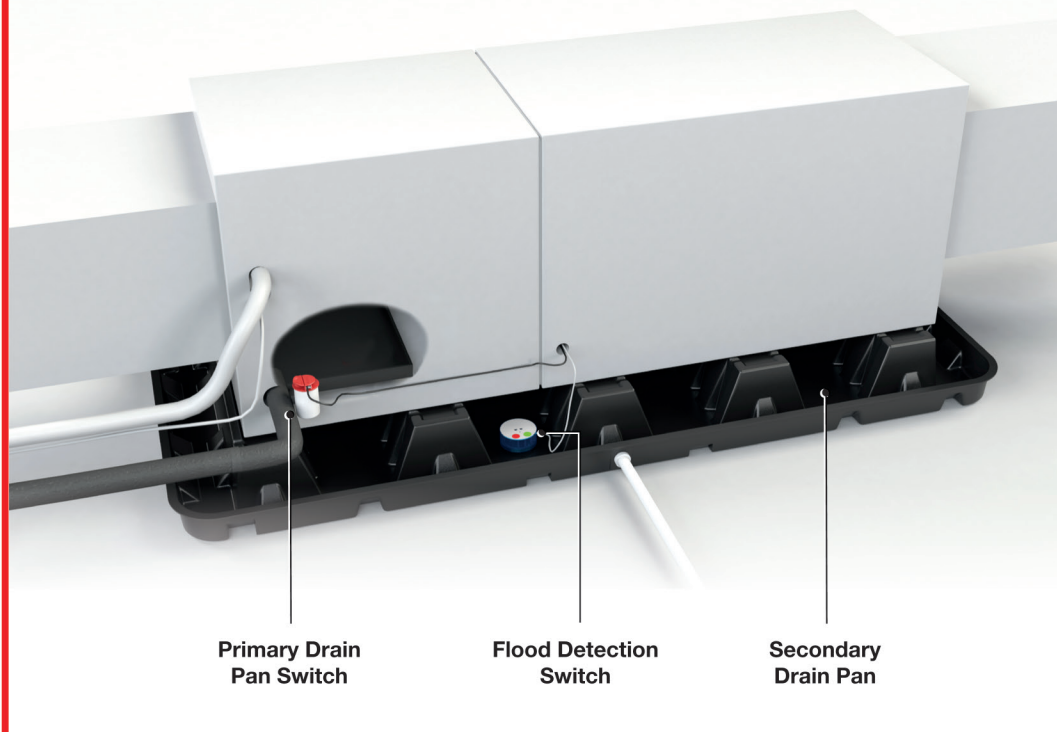




## Horizontal Installation with Pan Switch



## Horizontal Installation with Flood Detection Switch





GARAGE

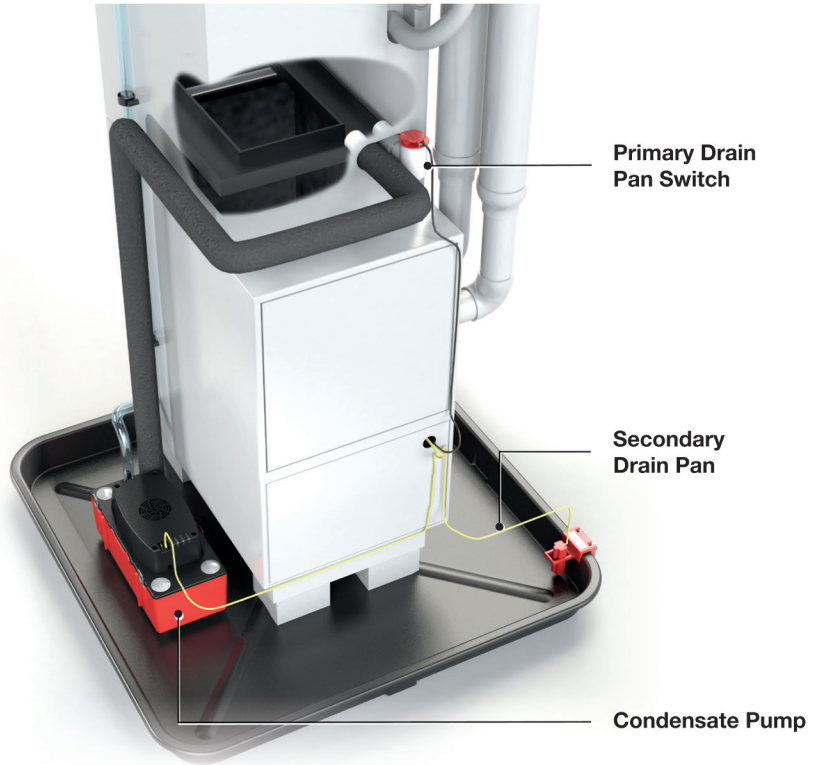


BASEMENT



UTILITY CLOSET

### Vertical Installation with Furnace and Condensate Pump

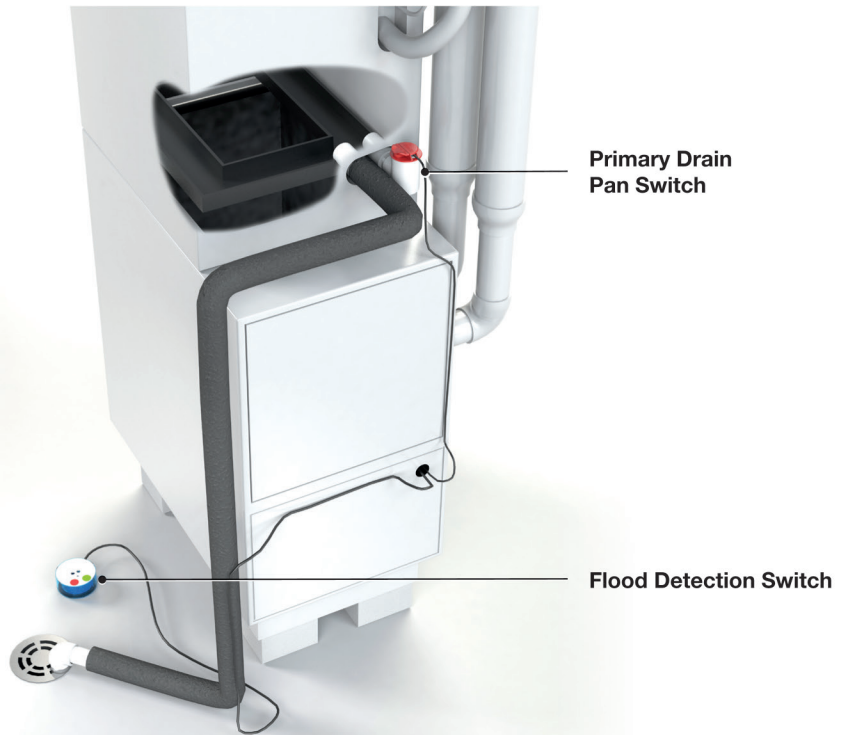


GARAGE



BASEMENT

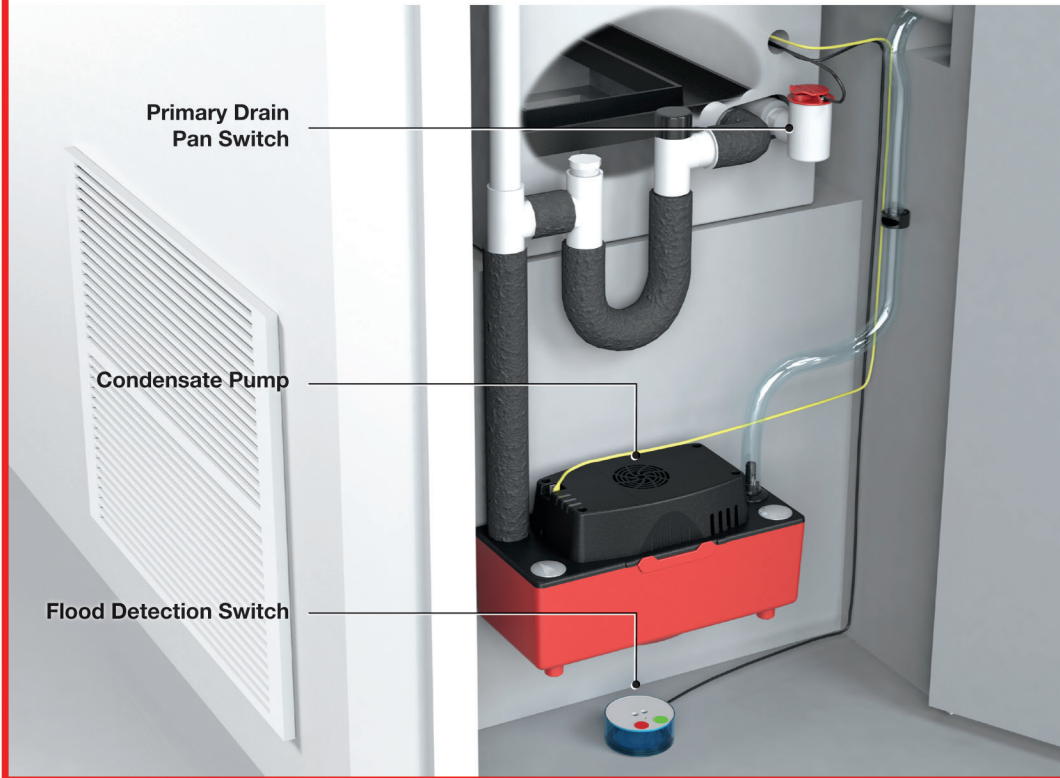
### Vertical Installation with Furnace and Floor Drain





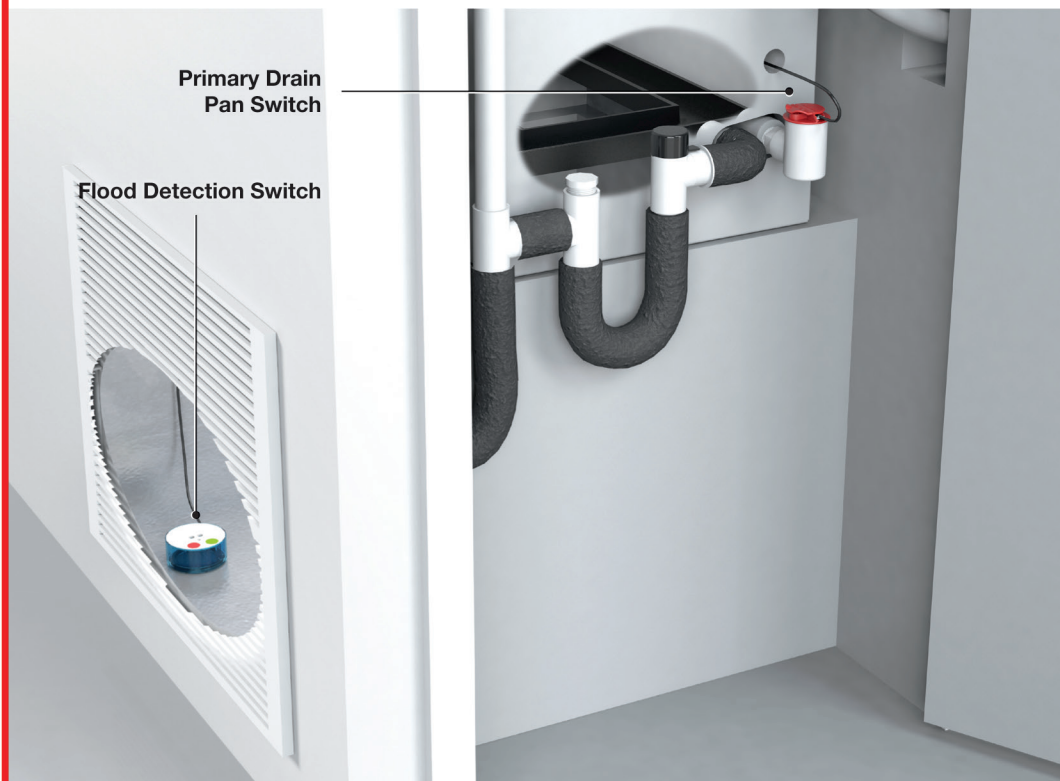
UTILITY CLOSET

### Bottom Intake with Condensate Pump

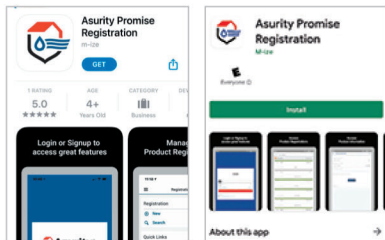


UTILITY CLOSET

### Bottom Intake with Gravity Drain



For possible product substitutions, please visit [asurityhvac.com/promise](http://asurityhvac.com/promise)



**Download our easy-to-use App on the App Store or Google Play for quick registration.**

Search Asurity Promise in the App Store & Google Play

## 1 Log in or create a new account

Enter the name of the contractor and contact information.

An email will be sent to verify the account and another to confirm your setup.

## 2 Detail your installation

Add the HVAC equipment to which the Asurity™ product is being installed. Drop-down fields will assist you through the entry of the location and type.



Next, take a wide-angle picture of the HVAC equipment installed in its natural environment.

Now it's time to add your Asurity products to each of the HVAC equipment areas entered.



- Take a close-up picture of the product and use the *Add File* button to grab it from your photos.
- Use the *Add* button for additional products installed.

## 3 Enter the address

This field will auto-populate based on your phone's GPS location\* and can be edited if needed. Use the Installation Reference field to add an invoice number, PO number, or other way to ID your project.

\*Location services will need to be turned on when using the app for full functionality.

## 4 Our Promise

Standard coverage will automatically be selected. Your 2-year coverage will be assigned a reference number.

Select "Extended" from the drop-down to gain a 4-year coverage. This will require you to use the *Attach* button to share proof of your 3-year maintenance contract on the installation.

Hit register and an email will be sent to confirm the registration.

# Frequently Asked Questions

**Q: Is the Asurity™ Promise only for new HVAC system installations?**

A: The Asurity Promise is available for all installations that meet the installation requirements. Both new installations or full/complete retrofits qualify if all requirements are met. For all installations, new condensate management products must be installed or replaced. No already-installed condensate management products will qualify for the Asurity Promise.

**Q: Is the Asurity Promise available for contractors that install residential multi-family projects?**

A: Yes, the Asurity Promise may be offered for those installations if all system requirements are met.

**Q: Can you use other brand products for part of the installation and still qualify for the Asurity Promise?**

A: Only DiversiTech® or Asurity brand products may be installed as part of the Condensate Management system for the installation to qualify for the Asurity Promise. No competitive products or in-field fabricated drain pans will be considered as meeting the requirements.

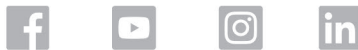
**Questions?**

Call **1-800-995-2222**

or visit [asurityhvacr.com](http://asurityhvacr.com)



**For more information on Asurity, scan the QR Code**



©2021 DiversiTech® Corporation  
Asurity™ is a registered trademark of DiversiTech Corporation.  
[www.asurityhvacr.com](http://www.asurityhvacr.com)

LIT-FLY-ASURITY-PRM